

# NEWSLETTER

VOLUME IX      NUMBER 2      FEBRUARY 1991

---

## OFFICERS

Jim Caldwell . . . . . President  
Dale Lewis . . . . . Vice President  
Roy Bates . . . . . Secretary-Treasurer

## DIRECTORS

Frank Jones  
Mike Key  
Ben Neighbors  
Harold Phillips  
Bill Purson

## EX-OFFICIO DIRECTORS

Nelson Brooks  
Spruce McRee  
Leonard Sanders

---

## PRESIDENT'S MESSAGE

I am looking forward to the February meeting and Tommy Hudson's talk on adhesives. His company, HUDCO Industrial Products, manufactures high tech epoxy adhesives. Tommy tells me that these adhesives have a wide variety of uses in bonding wood. One critical application is in experimental or kit type aircraft. Tommy is a pilot and has flown several planes containing wood structural members bonded with his adhesives. Now that is putting your faith in your own product! Tommy promises to give us some insight into how epoxies are made and how to use them to advantage in bonding wood. Don't miss this one.

We are still looking for a site for the Spring Show. I hope to have more details at the meeting. Get those projects going — there will be a show this spring.

Details on the next woodworking classes at the February meeting. David Traylor will be teaching the general woodworking class again. The class will be limited to about 15 people this time so if you are interested be prepared to sign up at the meeting. We would like to encourage new woodworkers this time and give some folks new to the craft the opportunity to learn from a pro like David.

Wood carvers and would-be-carvers if you want a class this time please step forward. We did not have enough people to hold a class last fall. If you are interested be there and sign up!

Dale Lewis will not be doing the turning class this spring. Is there another

instructor out there? Hopefully we will be able to have another session this fall.

See you February 14th. Happy Valentines Day.

## LAST MEETING JANUARY 10, 1991

We came away from this meeting with a new appreciation for CANING. Ken White, owner of Hoover Strip Shop, demonstrated one of the things he does best, caning all types of chair seat bottoms. There were four types of caning demonstrated. First — the use of sheets of cane woven at the factory. This is the most common in use today and is crammed into a groove (about 1/4") routed in the seat of the chair and secured with glue and a spline forced into the groove with the cane. The cane is soaked over night and is soft and pliable, so when the cramming is attempted it will go in the groove easily. When the cane dries it shrinks and becomes taunt, which is what you want in the first place. When, and if, in a few years the cane begins to sag, just turn the chair upside down, place a sippy wet towel on the cane bottom and leave over night. When this operation dries, the cane will shrink and become taunt again. No paint varnish or stain should be applied and the typical caning job should last five years.

The second method involves, usually, a straight chair to which strips of cane are woven around the rounds comprising the seat area. This is somewhat more difficult

in that the strips are of short lengths and require splicing a new piece to the strip that just ran out. Mr. White uses yellow glue and two staples for splicing. He said those staples that are visible on the under side, after completing the job, are removed. He cautioned us not to pull the strips too tight since they are wet and will shrink as they dry and if you don't finish the seat at one time, and have to come back to it the next day, for instance, the cane will have shrunk and it will be very difficult, if not impossible to weave the new strips through the dry/taunt strips previously put on. This type of caning is usually associated with Early American straight chairs which today lots of people like to have in their den.

The third method is more familiar to most of us. It is the Fiber Rush woven seat. Authentic fiber rush is available, but it costs about four times as much as the rolled and twisted paper substitute. Many dining room chairs have this type seat. The cord is purchased by the pound and may be secured from Ken or several mail order companies. Unlike cane, rush is not wet when applied and should be pulled taunt when installed. Splicing is required here too, and Mr. White ties square knots on the underside and they are left that way. He recommends the use of the library to learn of the designs available, or purchasing a paper back book on the subject. More about this in a moment.

The fourth method dealt with a wooden chair seat with holes drilled around the opening over which the cane or rush will be placed. This method is not in universal use. He says he has to charge about three

times as much for this type seat as the cane or rush seats.

If anyone is interested in attending a class on caning or other methods of making attractive, as well as serviceable, seat bottoms you may call Hoover Strip Shop and discuss it with Ken White. We truly appreciate his coming and giving us this very interesting and informative program.

### DUES - DUES - DUES

Yes, it's that time of year again. Aren't we glad it only comes once a year. However, when you consider what you get for your Twenty Dollars, it doesn't seem so bad. It is required that our dues be paid by the end of February to maintain our membership. If you prefer to send your money in by mail you may mail it to Roy Bates, Secretary-Treasurer, or the Post Office Box shown on the Newsletter. We have to be strict about this, so please get 'em in promptly so you won't be dropped from membership.

### CLAMP BLOCKS FOR EDGE-GLUING

One of the clumsiest jobs in the shop is that of edge-gluing a number of boards. By the time you manage to get the boards together, set the glue blocks in place and then get the bar clamps in position, it seems like everything has moved and you have to start aligning things all over again. My cure for this problem is some shop-built glue blocks that are shaped like a letter "U." I made a pair out of scrap material ripped to one inch, and then glued and tacked some 1/4 x 1-1/4-inch plywood on the sides. These are easy to slip in position and cannot fall off no matter how hard you might try.

*Jacob Schulzinger*  
Houston, TX

Alabama Woodworkers Guild Newsletter is published monthly for its members and other interested parties. Guild meetings are held monthly on the second Thursday at 7:00 P.M. at Acton Moulding & Supply Co. Information concerning the Guild may be secured by writing P.O. Box 506, Helena, Al 35080 or calling the Editor, Leonard Sanders, at 822-6876.

### THE NEWSLETTER

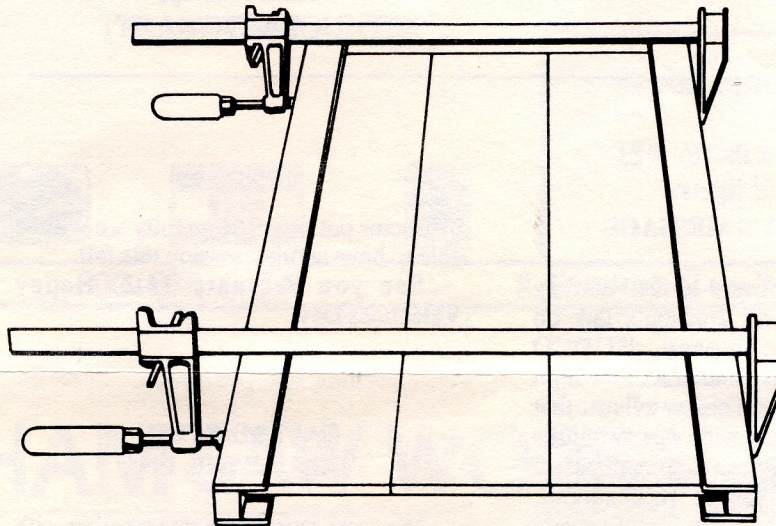
One of the larger expenses the Guild has is the printing of the Newsletter. We enjoy a fine relationship with Riverchase Print and Copy who print it and deliver it to Birmingham Saw Works who so generously donate the postage for mailing in lieu of payment for the advertising space in the Newsletter. Due to an unfortunate series of mishaps or events, Riverchase P & C were unable to get it to us on time in January for which they have apologized sincerely.

### LUCKY BROOKS

Wouldn't you know, and isn't it true that "them what has, gets"? During December, Acton's accumulated names of customers in a box and the winner was drawn at the end of the month. Well, past president Nelson Brooks was the lucky winner of a \$100 Savings Bond proving again what was said in the first sentence.

### MARCH PROGRAM

Just a little advance notice about our March program. You may remember Randy Cochranne from Decatur, who judged our show last year. He will be speaking on chair design and construction and shaping methods. More next month.



Reprinted with permission  
from Woodwork Magazine, Spring 1991.

 **hardware supply**  
WHOLESALE DISTRIBUTORS

### Complete Cabinet Hardware Supply

- ABRASIVES
- CABINET HARDWARE
- DECORATIVE WOOD MOULDINGS
- APPLIANCES
- COMMERCIAL HARDWARE
- GLUES
- LOCKS
- EXTENSIVE LINE OF WOODWORKING MACHINERY



3912 Second Avenue South  
BIRMINGHAM, ALABAMA 35222  
TELEPHONE 205-595-4655

## FOBO STOP

Have you ever awoken on a bright sunny day and wished you had a FOBO STOP? Surely you have, hasn't everyone? Well this common wish among woodworkers had not, and has not, occurred to Sterling Brewer. At the Christmas party, Sterling was the proud recipient of one of the prizes. He proudly returns to his seat after advancing to the front to receive his prize and discovers he has a FOBO STOP all nicely boxed in styrene and cushioned with sponge rubber. How lucky I am, said he, to finally get a FOBO STOP for my shop, but what the \_\_\_\_\_ is it? After studying the instructions printed in German on the box he still wanted to know what the \_\_\_\_\_ is it? Still not knowing what it is, he brings it to the last meeting. Surely everyone in the Guild knows what it is except him. Not so, he finds out. After introducing the thing to the meeting, pleading for an explanation and passing it around the meeting, he found out no one else knows what it is either. Now that it has been introduced to you, if you want to know what a FOBO STOP is ask Sterling at the next meeting.

## DOOR PRIZE

By now you know we award a door prize each month to a member as a reward for signing the attendance list conveniently placed by the coffee pot. This is the only way we have for recording your attendance. Please take this small request seriously and "sign in, please" as they used to do on What's My Line. Then, and only then, will you be eligible for the door prize drawing. At the January meeting Dan Browning was the lucky one to receive a set of cabinet scrapers.

## EVENING WOODWORKING CLASSES

The Fall classes were a huge success but have come to an end. It is time to consider the spring term, and it is hoped we will have all three classes subscribed to. General woodworking, turning and carving are the three being offered. Please come to the February meeting prepared to commit one night a week for the several weeks of the course at a nominal cost to you.

## SHOW AND TELL

This popular feature of our meeting continues to be of interest. We only wish more of you would participate. All of us are interested in what you are doing in your shop. At the January meeting Ivan

Kronberg displayed a carving (a relief carving) of some flowers. The carving looked to measure some 12" x 18" and was nicely done. Then Dale Lewis had three bowls. Of particular interest was a shallow bowl with its feet made as a part of the bowl (not glued on, in other words). It required considerable time to do the carving and sanding necessary to remove the waste around the feet, and he said he might not do it again.

## BUY - SELL - SWAP

We haven't had much activity in the department lately, but we have an item for sale this month. It is a Craftsman 8" table saw, with stand and casters. The best offer gets it from Harold Phillips at 424-0819. If anyone else has something in this category, let the editor know.

## SPRING SHOW

Yep, it's that time again. This is one of the more pleasant undertakings we get involved in. Last year we had about sixty members participate in the show, and all of them agree it was a lot of fun. People, the public that is, do find our offerings interesting and pleasant to look at. Even though we don't go into a show with the idea of selling our productions, there is nothing wrong with selling them after the show has closed. We are not a craft show, we are a woodworkers show and for that reason we don't advertise our things as being for sale. It is thrilling and flattering to have someone offer to buy your product if it is for sale, and it is possible to have such exposure lead to more and better commission work. The place and time have not been determined yet, but we will be informed in due time. The thing we have to be aware of is we usually have the show in May, before school is out. That doesn't leave us a great deal of time. We want you to make clocks, bowls, toys, music boxes, jewelry boxes, walking canes, tables, chairs, chests of drawers, hall trees, umbrella stands, mirrors, carvings, sculptures, boxes of all sorts, cabinets of any sort, or just whatever you want to make. The important thing is to make something, enter it in the show, and go away with a good feeling of having participated.

## FEBRUARY PROGRAM - FEBRUARY 14, 1991 - 7:00 P.M.

If there is one thing we all have and use in our shops, it is glue. We are all aware there are several, if not many, types of glue, each one necessary for the job to be done.

We will be pleased to welcome Mr. Tom "Tommy" Hudson, owner of HUDCO Industrial Products, who specialize in adhesives. This is a manufacturing company located in our area, and they will make an adhesive to fit your needs, and as you can probably guess, they are called on by industries for special epoxies and adhesives. They make epoxies that will dry in 30 seconds, or 30 hours depending on what you need. This should fit right in with our interests so plan to attend and bring a guest.

## NEW MEMBERS

It has been decided to reinstitute the practice of listing our new members in the newsletter each month. Since it has been some time since this was done we apologize to those of you who were never listed. It would be impossible to determine which ones have never been listed so we hope you will forgive the omission. Listed below are the latest group enlistees:

Baker, Jack	Lord, John
Brown, Howard	McCrary, Larry
Dorning, Ray	Peterson, LeRoy
Hall, Randy	Phillips, Jonathon
Harfest, Bob	Piper, "Buck"
Jones, Alec	Simcik, Steve
Killian, Wilburn	Timmons, Thomas
Kinman, Ken	Wakefield, R. C.
Little, Ray	

We welcome these new members and hope they will enjoy their membership as much as us old timers have enjoyed theirs'.

## A CALL TOO CLOSE FOR COMFORT

Our first President, and founder of the Guild, Spruce McRee (and his family) experienced a close call a few weeks ago. You may recall a small plane crash in the vicinity of Bessemer in which four adults were killed and surviving was a 15 year-old by the name of McRee. Yes, he is Spruce's son, and we all rejoice with him that his son survived and is well. If he, Spruce, will attend some, or just one, of our meetings we will tell him so in person.

---

American Association of Woodturners Symposium has been changed from April 5, 6, and 7 to June 14, 15, & 16th at North Texas State Univ. Denton, TX, just north of Dallas/Ft. Worth.

# ACTON **SERVISTAR**<sup>®</sup>

## HARDWARE

Record  
Marples  
Watco Stain  
Minwax  
Books  
Saw Blades  
Router Blades  
Electrical /  
Plumbing Supplies

CUSTOM / STANDARD  
MOULDINGS  
STAIR PARTS  
HARDWOOD LUMBER  
CABINET PLYWOOD  
HARDWARE — HANDTOOLS  
(TRADE DISCOUNTS)

POWER TOOLS:  
Makita  
Porter Cable  
Black & Decker  
Bosch  
Skil

**Guild Nite Special!!**

15% off all items in store,  
except Sale items



205-663-0130

1-800-228-0474

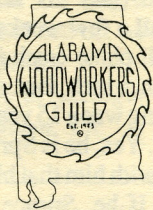
8 TO 6 M-F — 7 to 12 Sat.

# BIRMINGHAM SAW WORKS

P.O. Box 126 • Birmingham, Alabama 35201  
Call Us Toll Free 1-800-289-SAWS • Local 252-9757  
Since 1885

FEB-6'91

H METER 331243



**The Alabama Woodworkers Guild**

P. O. Box 506  
Helena, AL 35080

9RG

Edward L. Ransoy  
805 Stonehenge Road  
Birmingham, AL 35223