

NEWSLETTER

VOLUME XI NUMBER 11 NOVEMBER 1993

OFFICERS

Fred Baker President
Ed Sheriff Vice President
Cliff Saxon Secretary-Treasurer

DIRECTORS

Frank Jones
Mike Key
Ben Neighbors
Harold Phillips
Mary Spanos

EX-OFFICIO DIRECTORS

Nelson Brooks
Jim Caldwell
Spruce McRee
Leonard Sanders

PRESIDENT'S MESSAGE

Beginning in January, 1994, we will have a new President, Vice President and Secretary/Treasurer. I know that you will give them the support that you have given me. Since this is the last time that I will visit with you in the newsletter as President, I want to take this opportunity to express my feelings over the last two years. I can truly say that I have never been associated with a finer group anywhere. I am always proud to tell someone that I belong to the Alabama Woodworkers Guild. I also want to express my appreciation to Ron and Sue for always being there for us — providing us a meeting place with atmosphere, donating generously to the Guild, promoting us in their advertising, and supporting all of our activities — to Ed Sheriff for providing us with very good programs during the past year and for his tireless work in coordinating the Annual Show for the last three years — to Cliff Saxon for his excellent work in keeping all of our financial records in order and keeping all the bills paid — to the board of directors — Frank Jones, Mike Key, Ben Neighbors, Harold Phillips and Mary Spanos for attending all those dull board meetings and keeping us on the straight and narrow — to Leonard Sanders for his leadership in providing us with the best newsletter around and to Jim Caldwell, immediate past president, for his advice and counseling. It's been a good two years!

Don't forget to bring your toys to the November meeting. The toy recipients will pick them up after the meeting, so you will

have an opportunity to see what everyone has made before they are all gone.

Remember to set December 4th aside on your calendar. That's the date for our annual Christmas Party. You certainly don't want to miss it — good food, lots of fun and Santa too!

It's certainly good that we have an organization such as ours. Sometimes we work alone in our shops, but if that was all there was to it, I think that we all would pretty soon tire of that. We cannot exist in a vacuum. We need to have the opportunity to show others what we have done and to be inspired by what others have done as well. All of this is leading up to — bring your work and share it with others at show and tell during the November meeting. See you there.

Fred

Thanks to Bo Thuston of Thuston and Sons Saw Works for his donation of a live center manufactured by Record. Thanks Bo for the help.

NEXT PROGRAM NOVEMBER 11, 1993 • 7:00 PM

How many times have we heard someone say "Man, I'm scared to death of those things" when the conversation is dealing with the use of routers? We have all heard that admonition. We are in luck for this meeting. Ed Sheriff and three of our most talented woodworkers will demonstrate there is no need for FEAR of a router, just RESPECT and COMMON SENSE for and with a router. Mike Key,

Wallace Williams and Bob Moore will bring their router tables to the meeting and will show us some of the many things this most versatile tool can do. Among other applications they will demonstrate making stiles, rails and raised panels, small parts and slot mortising. This can turn out to be the meeting that will turn your woodworking in a new direction since a router opens up so many possibilities for accomplishment.

LAST PROGRAM — OCTOBER 1993

There was much to be learned from this meeting since it dealt with another aspect of woodworking that has many of us "buffaloed" — FINISHING. We were fortunate that Ed Sheriff had the human resources to call on within the Guild, which he did. Ed gave these men a piece of walnut plywood and asked them to finish it either with their favorite finish or a finish suggested by Ed. It turned out well, and leading off was Frank Jones. It seems he lost his piece of plywood and had to be furnished another. Then he finished the second piece and lost that too. Somehow he did manage to finish the piece and, as usual, did a great job. Frank finished his piece with three coats of lacquer, with sanding between each coat. Then came Dale Lewis: Dale finished his piece with oil, rubbing with 4/0 steel wool. He also said under some circumstances he would use Formby's Polyfinish and a coat of TreWax. Ed Sheriff spoke for Ivan Kronberg who had finished his piece but could not be

there. Ivan used oil, rubbed and top coated with polyurethane; and for a natural wood finish he suggested Mark VI Natural Wood Finish. Following next was Pres. Fred Baker. Fred used a sanding sealer first and then water based Hydracoat Lacquer. Next was Walter Barnett who used an analine dye after final sanding on cherry, heart pine and his piece of walnut plywood he likes to finish up with wax. Ed Sheriff — the Lacquer Man. Ed like to use a paste wood filler first and after about 15 min. rub it vigorously with wood chips from the jointer or planer — let it dry a couple of days then lacquer with 4/0 steel wool between coats. We appreciate, very much, these men taking their time to prepare for our program and presenting it.

YES — WE HAVE CAPS

At the October meeting Harold Phillips presented us with our newest version of WW Guild caps. They are blue, solid material (for warmth in winter) and have our logo on the front. They are only \$10 and at that price how can we refuse?

TOYS FOR TOTS

You know, we shouldn't have to say any more than that. However, it seems, we don't want to fail to meet our obligation to Children's Hospital, the U.S. Marines and the Helena Police Department. We have told these three entities we will furnish toys for their use and distribution this Christmas and such a promise just must not be forgotten. Our Guild has been furnishing toys at Christmas since the beginning and this year just must not be any different. We were furnished with a list of preferred items by Children's Hospital consisting of: Unpainted picture frames, cars, trucks,

Alabama Woodworkers Guild Newsletter is published monthly for its members and other interested parties. Guild meetings are held monthly on the second Thursday at 7:00 P.M. at Acton Moulding & Supply Co. Information concerning the Guild may be secured by writing P.O. Box 506, Helena, Al 35080 or calling the Editor, Leonard Sanders, at 822-6876.

trains and jewelry boxes. The reason for unpainted items relates to encouraging the patients to do the painting themselves. They can practice their motor skills this way. Then you may make some of the same items and paint them, if you wish. Then for the Marines and Helena Police, there should be toys — lots of toys. You may finish them or not finish them. Just make toys for children from two to ten, mostly. They can be large or small, just so they are useful toys for children. You know what children enjoy. We must remember that the toys for the Marines and Police will be distributed to those children who register with them that they are needy and won't have anything Christmas morning without our help. These two groups investigate to confirm their need, too. As for the Hospital, they have children from one to twelve who, because they are sick, will not be able to go home for Christmas, and as a result won't have any presents because their families will not be able to come to Birmingham for the occasion. After knowing all that how can we fail to meet our goal of at least 1,000 toys. We have furnished that many in the past and we will do it again.

SHOW AND TELL

A really nice segment of our program each month is having some of our members bring a finished project they are willing to share with the rest of us. Leading off this month was Mike Key with a shallow purple heart bowl; Leonard Sanders with a spalted maple bowl; Bob Moore with a Tic Tac Toe game and George Shoppert with a Model T Ford (about 1900 model) made of pine. These were fine pieces, but this part of the program will be better next month if you bring something.

CHILDREN'S HOSPITAL

In addition to the toys needed by them they have need of another item, or two. Ben Neighbors made one of each items they could use. One consists of a board (12 x 12) with a clip (a clip board) but with a trough at the bottom for use by patients sketching or coloring. Then, a little different version of the same thing has a pillow on the back of the clip board which will help the patient do their writing, sketching or coloring in bed. The little pillow helps hold it up. Please call Ben at 942-4587 and volunteer to help make these items. The materials are almost a non-cost item and think of the pleasure you will derive from helping a child.

DOOR PRIZE

After going through the complicated procedure of selecting the person of the month, Lucious McIntosh won the \$15 door prize. Spend it wisely, Lucious.

OUR BENEFACTOR

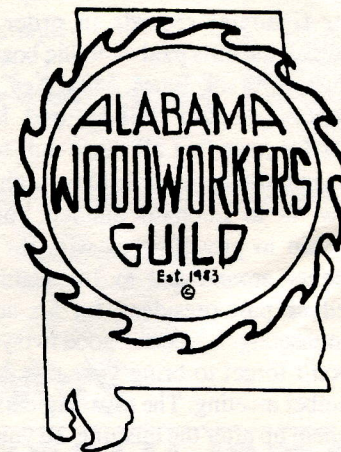
We are so pleased that Sue and Ronnie Acton continue to provide us with such a nice place to meet. Not only is it a good meeting place, we can shop for tools and materials before and after the meetings. As an added incentive Ronnie returns some of our money to the Guild in the form of cash representing his profit on the purchases. He does this to encourage us to have seminars so as to improve our skills in woodworking. This month the check was for \$57.26 and we appreciate it, Ronnie.

NOMINATING COMMITTEE

The Nominating Committee consisting of Ed Ramsey, Chairman, and assisted by Charles Brown and Jerry Vines made their first report. Our By-Laws require that we read the nominations at the October meeting and hold the election at the November meeting. Since we don't meet in December, except for our Christmas party, it is necessary to hold the election in November so the new officers can hit the road running January 1st. The nominations for 1994 are as follows:

CANDIDATES FOR ELECTION

Edwin P. Sheriff President
 Richard C. Brewer Vice-President
 John F. Parker Secretary-Treasurer
 Leonard Sanders Newsletter Editor



Frank Jones
Mike Key
Ben Neighbors
Harold Phillips
Mary Spanos

LIBRARY

Ever so often we need to be reminded that the library tended to by Frank Jones is live and well. It is loaded with many fine reference books that can assist us in fields we are treading for the first time and don't know our way. Then we have all the most popular woodworking magazines given to us by the publishers for our referral and enjoyment. These magazines are: FINE WOODWORKING, POPULAR WOODWORKING, WOOD Magazine, WOODSMITH AND WOODWORKER'S JOURNAL. In addition, these publishers have given us permission to reproduce articles, tips or other items of interest to our members. Why don't you ask Frank Jones to check out to you some of these publications next month?

If you watch the Yankee Workshop on TV, you know he nearly always starts off his program with the warning we should observe safety rules without fail. This month we suggest to you that when using the table saw, never, repeat NEVER, try to cut too small a piece of wood on the table saw. Only if the blade guard is in place (which it should be at all times) should you attempt to make a short piece narrower on the table saw. Use your band saw for cutting short pieces like that. More safety next month.

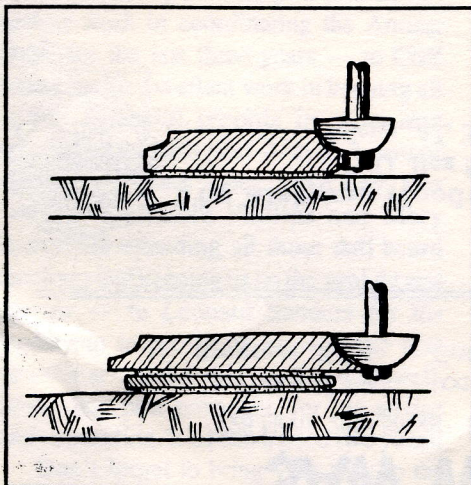
LUMBER & WOOD SALE

Another great chance to get some good lumber and bowl blanks at a great price coming up on November 13th at Ivan Kronberg's home. If you attended his last sale you know he has some fine pieces of lumber and this time he has a goodly amount of walnut, some red oak, a little maple and lots of bowl blanks. Ivan lives at 618 Riverchase Parkway West. When traveling Hwy. 31 turn into Riverchase at the sign surrounded by the lovely landscaping and go about two blocks and his home is on the right. You will recognize it by the number of cars and trucks parked around the house and on the street. If you get lost or want to ask him about the sale call 988-8278.

This is the last NEWSLETTER you will receive before our party on December 4th at 6:00 PM at the Helena United Methodist Church. We have held our party there a good many years and it is an excellent facility. It is at this party we bring any toys we didn't turn in at the November meeting and we always have quite a few to do just that. Mary Spanos (the lovely and fine woodworker) who disburses our door prize each month is chairman of the party. She and Sue Acton are already busy at work to ensure the success of the party. Now, all you have to do is mark your calendar to be reminded to be there on the 4th. Then, all you have to do is convince your spouse to make her (or his) favorite dish, whether it be a salad, a meat, a casserole, a vegetable or a dessert and bring it to the meeting. We have always had a fabulous covered dish dinner at our parties and this year won't be any different. Then after dinner comes a song session (at which time we learn just how many of you can't sing) followed by the distribution of the prizes and presents. Santa Claus, in uniform, will be there. Is there any way in the world you will miss the party? For you newer members who don't know where the church is just call the church or Acton's and they will give you directions.

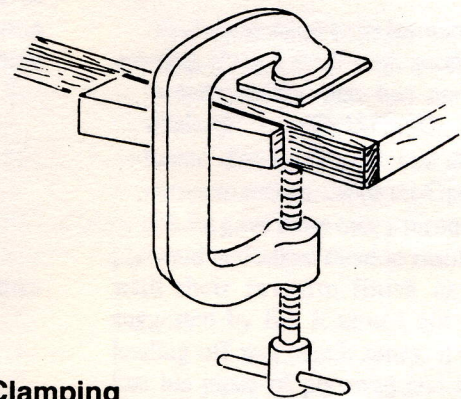
Carpet Tape and Router Safety

When there isn't enough room for clamps, double-sided carpet tape works well to hold small pieces of wood to a flat, dust free surface. It also comes in handy if the material being cut is too thin to give clearance to the pilot on the routing bit.



Cut a thin scrap of wood, slightly smaller than the piece to be routed, and sandwich it between two pieces of carpet tape. Use the tape once and discard it when it collects dust.

Dick Dom
Oelwein, Iowa



Edge Clamping

When putting an edge on a wide board, it's often impossible to clamp across the width of the board while the glue sets. You can apply pressure from one side with wedges inside C-clamps, using as many as you need to suit the length of the edge.

Shown here is a single wedge applying pressure directly on the edge strip. To reduce the risk of movement, you could use a pair of folding wedges under the clamp and driven opposite ways over a packing.

Percy W. Blandford
Stratford-upon-Avon

ACTON **SERVISTAR**®

HARDWARE

Record
Marples
Watco Stain
Minwax
Books
Saw Blades
Router Blades
Electrical /
Plumbing Supplies

CUSTOM / STANDARD
MOULDINGS
STAIR PARTS
HARDWOOD LUMBER
CABINET PLYWOOD
HARDWARE — HANDTOOLS
(TRADE DISCOUNTS)

POWER TOOLS:
Makita
Porter Cable
Black & Decker
Bosch
Skil

**CHECK YOUR GLUE,
CLAMPS, AND
SANDPAPER - SPECIAL
ON ALL!**



205-663-0130

1-800-228-0474

8 TO 6 M-F — 7 to 12 Sat.

The Alabama Woodworkers Guild
P. O. Box 506
Helena, AL 35080



928 North 28th Street Birmingham, AL 35203
P. O. Box 12264 Local (205) 328-4300
Bham, AL 35201
Call us Toll Free 1-800-289-SAWS

JOS. THUSTON AND SONS SAW WORKS