



Woodworking Education Center
10544 Hwy 17, Maylene, AL 35114

Alabama Woodworkers Guild

Guild News



www.alabamawoodworkersguild.org

Volume XXXVIII Number 3

March 2018

Next Meeting

The next
scheduled
meeting

is :

APRIL 21

In This Issue

Shop CALENDAR

April Meeting

Program p. 4

WEC Directions p. 11.

President's Message

President's Message
(Don Wilson)

April's meeting is our "Silent Auction" where members can sell and buy other members treasures. So do your spring cleaning and dust off your little used items and bring them to the April meeting to make some cool cash! Remember a 20% donation of your sale is appropriate. For those bringing items to sell, we ask you to come at 9:00 to fill out the forms required for each of your items to be auctioned. This is not a flea market so only bring items that are in good condition. No clothing. Remember your customers will be woodworkers so the items that will sell will be items that will appeal to woodworkers.

Because of the Silent Auction, we will not have a formal General Meeting. There may be a few general announcements I and others may share with you but we are going to devote the entire time, as we have in the past, to the Silent Auction. So save your "Show and Tell" items for future meetings. Thanks!

2018 Directories are here! They are stored in a box under the "Sign In" ledger at the front door. Please take one. For new members who joined after February of this year, we will have an updated supplement in October.

Planning for the "10 Year Celebration" in May is going well! The planning committee has created a fantastic event with food, music, guest speakers and much more! Make plans to come May 19 at our General Meeting time!

So excited about our 2018 Classes! All classes in 2018 have been full. Last one had a waiting list. We have 3 classes coming up before our May General Meeting. To register for these classes and to see all of our classes, go to our website <http://wp.awwg.info> and then click classes on our menu and scroll down to see all the offerings! Payment must be no later than one week before the date of the class.

To get all the information we put out to you, please join our Facebook page, visit our website often and make sure we have your correct email address and phone number so we can communicate to you the wonderful opportunities the guild will provide to you in 2018!

May God Bless You All!
Don



President: Don Wilson

Vice Pres: Patrick Murphy

Treasurer: David Erikson

Secretary: John Wilkes

Webmaster:

Board of Directors:
Bob Moore
Don Blackburn
John Dorough
Frank Higgins
Sandra McMillan

Toy Co-Chairs:
Sandra McMillan
Bob Watson

Education:

Shop Managers:

Pat Bush
Frank Higgins
Kenneth Graham

Librarian: RayDunn

SPECIAL NOTICE

New Educational Class Signup/Payment Policy

Due to the popularity of our classes, the Board has changed the sign up and payment requirements so others on our educational class waiting lists can have significant notification to participate if for some reason someone has to drop out of a class before it begins. The new policy requires that all classes are first come/first served as long as they pay for the class one week before the class begins! If payment is not received before one week of the class then that spot is forfeited and members on waiting list will be contacted to fill the class.

In the past, the unwritten policy was that payment could be made when you attended the first class. This created unfilled classes as it is only natural that factors beyond members control such as sickness, last minute scheduling conflicts and other issues sometimes happen that makes it impossible to attend. However, without notification or the time to give adequate notification, this created unfilled classes at the last minute and did not give us or the instructor time to reach out to those on the waiting list for the class. This is unfair to the instructor who had prepared and many times has to prepare materials for their classes. It is also unfair to other members who would have liked to take the class but could not receive notification in time.

The Board believes this is a policy that is fair for all members and that is our #1 priority when making policy decisions. Thank you for your understanding!

Don

WEC APRIL CALENDAR

Sun	Mon	Tue	Wed	Thu	Fri	Sat
1 Shop Closed for Easter	2	3 9a-2p Shop Closed, Toy Group Only	4 AWG Board Meeting	5 4:30p - 8:00p Hand Tool Workshop	6 9a-1p Lynn Smith, Shop Supervisor, Contact 413-2747 1p-5p Lynn Smith, Shop Supervisor, Contact 413-2747 5p-9p Brian Stauss 205-336-7241	7 9a-4p Basic Turning with Cliff Daniels Class 1 9a-1p Henry Hager Scheduled 1p-5p Henry Hager Scheduled
8 9a-4p Basic Turning with Cliff Daniels Class 2 Brian Stauss 205-336-7241	9	10 9a-2p Shop Closed, Toy Group Only	11	12 4:30p - 8:00p Shop Closed, Hand Tool Workshop Only	13 9a am - 1 pm; Ron Powell 1 pm - 5 pm; Ron Powell 5p-9p Mike Key Scheduled	14 9a-4p Venetian Class with John Lawson John Dorrough 352.572.7537 Supervisor 1p-5p Robert Moore...Supervisor
15 1-5pm Randall Baylis 901-3764	16	17 9a-2p Shop Closed, Toy Group Only	18	19 4:30p - 8:00p Shop Closed, Hand Tool Workshop Only	20 9a-1p Patrick Murphy Supervisor, 205.685.6677 1p-5p Patrick Murphy, Shop Supervisor, Contact: 205.685.6677 5p-9p Randall Baylis 901-3764	21 8a-9a SketchUp with Jeff Branch 9a-10a Mentoring Series Program 10a-12p Guild Membership Meeting, Guests Welcome 1p-5p David Holcomb
22 1p-5p Brian Stauss 205-336-7241	23	24 9a-2p Shop Closed, Toy Group Only	25	26 4:30p - 8:00p Shop Closed, Hand Tool Workshop Only	27 9a-1p R Hardwick, Supervisor 1p-5p R Hardwick, Supervisor 5p-9p Mike Key Scheduled	28 Wall Hanging Tool Cabinet Class 1 9a-1p Al Coltrane Supervisor 770 329 3904 1p-5p David Robinson 205-478-4435
29 Wall Hanging Tool Cabinet Class 2 No Supervisor Scheduled	30					

The most current WEC calendar is always available on-line at: <http://wp.wwg.info/calendar/>

**8:00am SketchUp Workshop Topic:
Creating Layers and Scenes**



The April meeting of the SketchUp Group will continue exploring basic SketchUp tasks but will expand to creating layers and scenes for your projects this month. If you can, bring your laptop so you can follow along.

**9:00am Member Setup
for Silent Auction**

Members will be able to bring their tool and jig items for the Silent Auction and stage them around the shop.



There is no General meeting due to the Silent Auction Event. Please enjoy the Auction.....

NEW EDUCATIONAL CLASSES ANNOUNCED

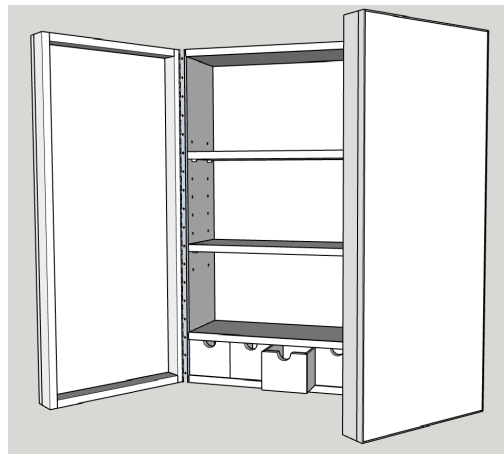
Three new Classes are announced for the Month of MAY. Don't miss these events:sign up early on the website...

Wall Hanging Tool Cabinet Class

**April 28-29, 2018
9:00am-4:00pm**

In this two day class you will build hanging tool cabinet for your own shop wall.

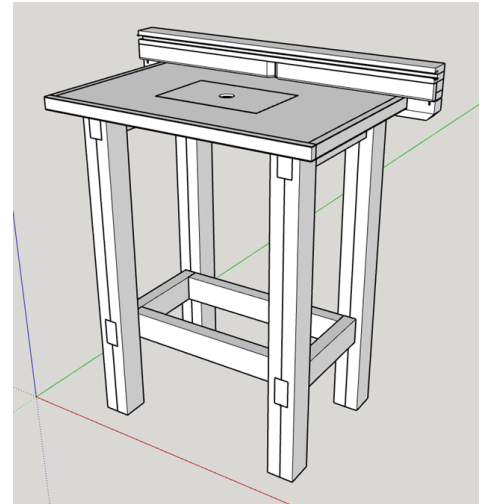
Registration for this class will close April 22nd to allow us time to purchase the materials. The fee for the class is \$140, which includes materials. You must be a member in good standing to attend. Please respond via email at education@alabamawoodworkersguild.org with your name if you plan to take the class.



Router Table Class**May 5-6, 2018****9:00am-4:00pm**

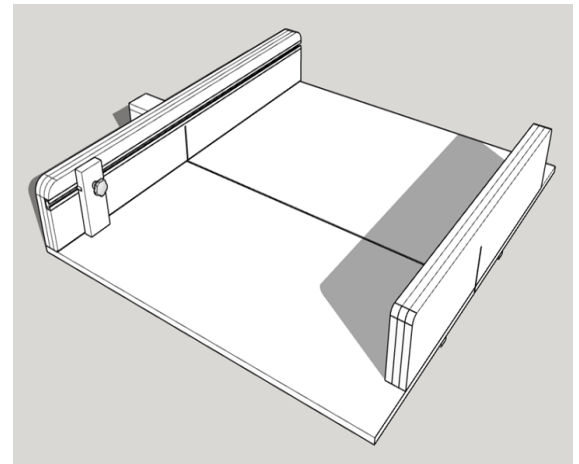
Build a Router Table. This is a hands on class where you will construct a basic router table with fence and router insert. All materials are included in the price of the class so you can go home with your very own router table.

The fee for the class is \$125 which includes all materials and class fee, and is limited to 10 people. You must be a member in good standing to attend. Please respond via email at education@alabamawoodworkersguild.org with your name if you plan to take the class.

**Table Saw Crosscut Sled Class with David Erikson****May 12, 2018****9:00am-4:00pm**

This class is part demonstration and part hands on. Since everyone's table saw is slightly different, you will complete your sled at home, but you will learn how to build and precisely adjust for a perfect cut in this class. We will use Baltic Birch plywood to construct a crosscut sled with hardwood runners, two tall fences, and an adjustable stop block. But the real trick is adjusting your sled to cut accurately to the thousandth of an inch!

The fee for the class is \$85.00 (\$50.00 class fee + \$35.00 materials). Class size is limited to 10 people. You must be a member in good standing to attend. Please respond via email at education@alabamawoodworkersguild.org with your name if you plan to take the class.



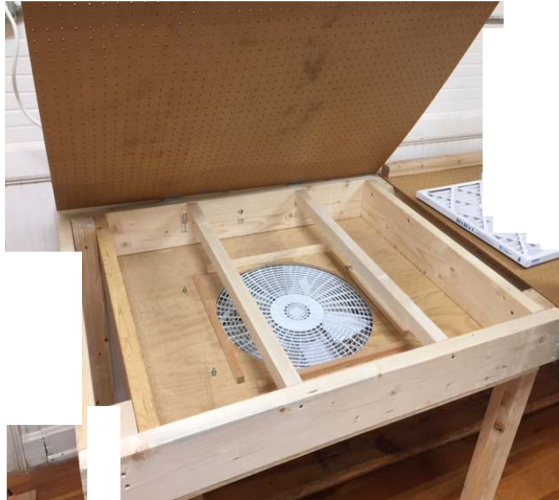
The Toy Makers from Alabama Woodworkers' Guild build smiles at Children's Hospital



<https://bhamnow.com/2018/03/15/childrens-of-alabama-woodworkers-guild/> Follow the link

above to view the great article posted on Bham Now.

New 16 ft work space is developing well for the shop...ETA is early May.. Will include 8 ft downdraft table, Jessup style router head and Chop Saw station that can handle REALLY long boards. Some pics are below!



SHOP NOTES

First and foremost...a HUGE shout out to Randy HJetland, Terry Hammond and Don Blackburn for helping me build the initial stage of the new Downdraft / Chop Saw Table a couple of Saturday's ago... these fellows really went above and beyond. And as always, our local electrical expert Bill Newman handled the new conduit and wiring. I also added a dedicated shop vac to the chop saw – it comes on automatically every time you pull the chop saw trigger...and runs for 5 seconds after you release it. Super Cool! See a few pics attached...still a few more items to tweak (laminates on the chop saw surface, 4" round dust collector spur line re-route, and eventually a Jessup Router head in the center of the table). FYI...could use some younger volunteers to help relocate the spur line...overhead reaching on a 12 foot ladder is just not my thing.

Also...new member JP Brown donated a SUPER nice DeWalt Jig Saw to the Guild. I will be selling hammer whacks at the old Bosch Jig Saw for \$1.00 at the next meeting (if you ever tried to load a blade...you know what I mean). I personally will have to run by the ATM!!!

The relocation of the Chop Saw and Jet Belt Sander will allow the Toy Group a designated spot for a toy wood rack / staging area near the garage door. This will free up floor space, create better foot traffic flow and put the toy wood very near the new chop saw / sanding station / big sander. The toy group is such an integral and core part of our Guild...the WEC team tries to keep them humming.

The new/additional Jet Planer is in...and working like a champ. This addition really eliminates the most common traffic jam in the shop...milling wood.

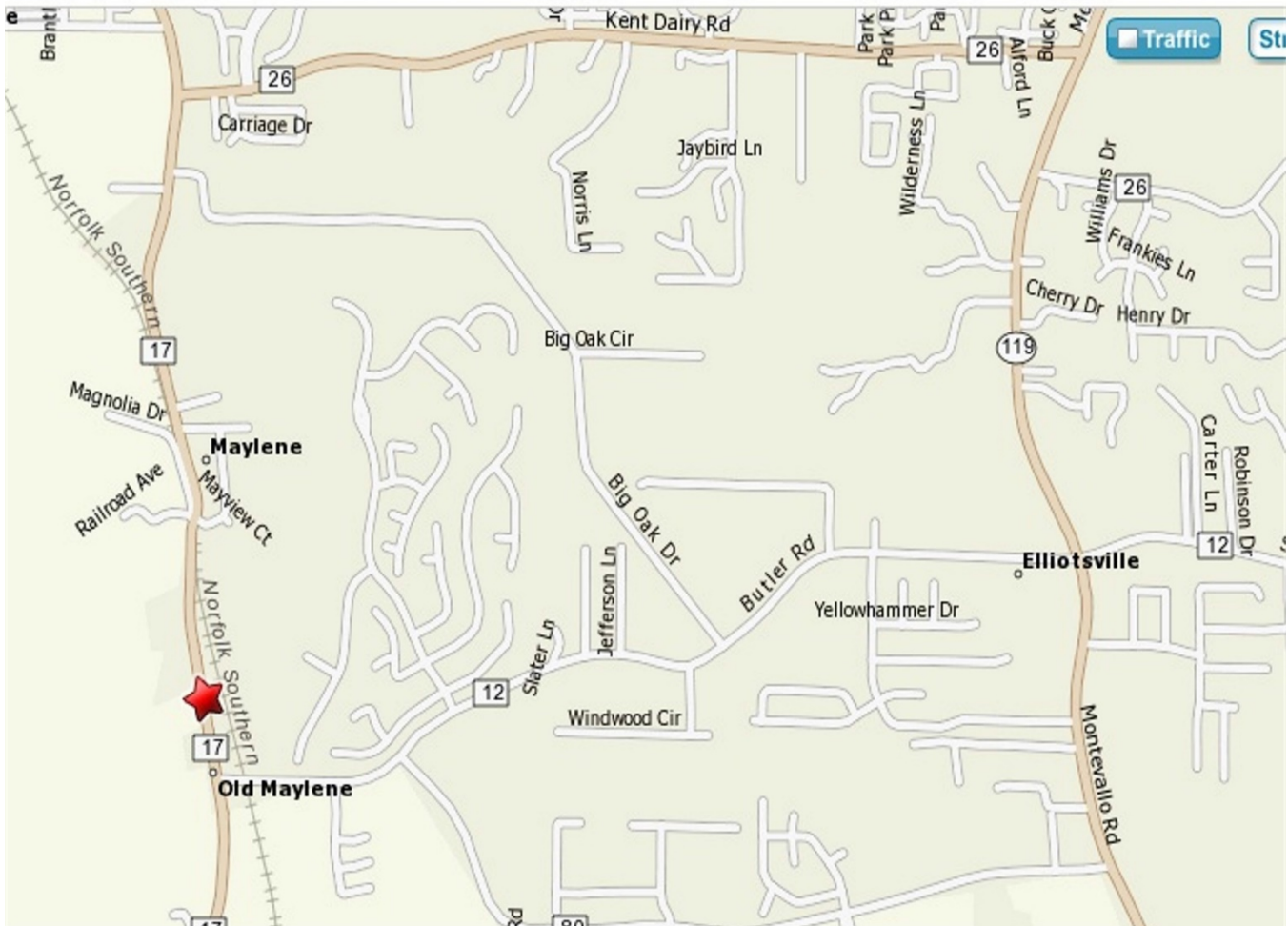
TIP #1...working with Jet to address the issue...but be aware the 22" oscillating bed sander has a creep issue. The vibration from the motor seems to lead the head to drop, thus decreasing the gap between the bed and sanding head. So keep one eye (and hand maybe) on the adjuster wheel whenever possible.

Tip# 2...recently had someone putting UN-milled wood through the bed sander...and it was a disaster. The varying thickness of the wood resulting in burnt paper and some belt damage. So remember... ONLY wood that has been planed to a consistent thickness should be used on the bed sander. AND NO PINE.

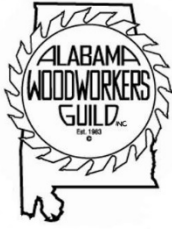
Shop Donation Needs: Zip Ties (small, medium and large), Sharpies, a couple of good tape measures, a sturdy Skilsaw that works...and a 4 foot level. Everyone take a peek in your shop and see if you have an extra item or two laying around you could part with for the good of the Guild. Plus...this gives you a reason to buy better replacements for YOUR shop. Contact Ken, Pat or Frank about your donations (time or tools or money...)

Thanks again for the support...Ken, Frank and Pat

Directions to the Woodworkers Education Center (WEC)



From I-65, take Exit 238 (Highway 31). Turn north on U.S. Highway 31, go 0.6 miles and turn left on State Highway 119 South. Go 3.0 miles south on Highway 119 and turn right on County Highway 12. Go 2.1 miles on Highway 12 until it ends at County Highway 17. Turn right on Highway 17 and the WEC is 0.3 miles on your left. There is a large WEC sign at the entrance.



www.
alabamawoodworkersguild
.org

About Us

Alabama Woodworkers Guild Newsletter is published monthly for its members and other interested parties. Guild meetings are held monthly on the third Saturday at 9:00 a.m. at the Woodworking Education Center, 10544 Hwy 17, Maylene, AL 35114



WOODCRAFT[®]

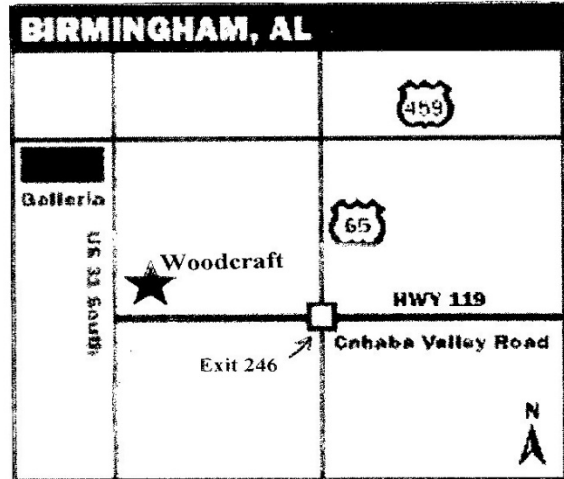
Helping You Make Wood Work[®]

Phone 205-988-3600
Fax 205-988-3612
Website: www.woodcraft.com
e-mail: WC511@aol.com

Store Hours
M - T - W - F: 9AM - 7PM
Th: 9AM-9PM
Sat: 9AM-6PM
Sun: Noon-5 PM

Our address is:

2215B Pelham Parkway
Pelham, AL 35124



Directions:
Take I-65 to Exit 246.
Take Highway 119 West (Cahaba Valley Road) 3/4 of a mile to US 31.
Turn right on US 31 and travel north approx. 0.3 mi.
Our store is on the right (east) side of US 31.



P.O. Box 36804
Birmingham, AL 35236

The Alabama Woodworkers Guild,